



Contractor's Summary for CHROMOPHARE® Multiple Surgical Lights



This summary dimensional and loading data must be used in conjunction with the detailed information in the Chromophare Pre-Installation Guide for the specific light model involved. Failure to include information from the Pre-Installation Guide could result in a failure of the light to operate or a failure of the superstructure. Failure of the super structure could damage the light or the building or cause injury to patients or personnel.

Many health care facilities order Chromophare Surgical Lights for several different rooms or areas. Each of these units may be equipped differently. They may require different numbers of electric circuits, different numbers of low voltage cables, and different numbers and kinds of wall mount plates. Be sure to check the customer order documents for the specific requirements for your installation.

Copies of the all BERCHTOLD Pre-Installation Guides and most other technical literature are available from our Web site (www.berchtoldusa.com), by calling 800-243-5135, or by Faxing 843-569-6133.

Project:

(Ref. Chart on Last Page)

No. of Units

BERCHTOLD Recommended Superstructure Construction Detail (Refer to Owner's Structural Engineer Drawings)

Chromophare Multiple Surgical Lights

Standard	
Weight Lb (Kg)	Moment Ft Lb (N•M)
399 (182)	1517 (2056)

Weights and Moments Design Specifications for Minimum Weights and Moments Design Specifications for Chromophare Multiple Surgical Light

	Weight - Lb (Kg)	Moment - Ft Lb (N•M)
Single Light	155 (70)	392 (531)
Double Light	249 (113)	734 (995)
Triple Light	345 (157)	1102 (1494)
Flat Panel, Only	184 (84)	726 (984)
Single Light with Flat Panel	303 (138)	1149 (1557)
Double Light with Flat	399 (182)	1517 (2056)

Light Mounting Plate Detail

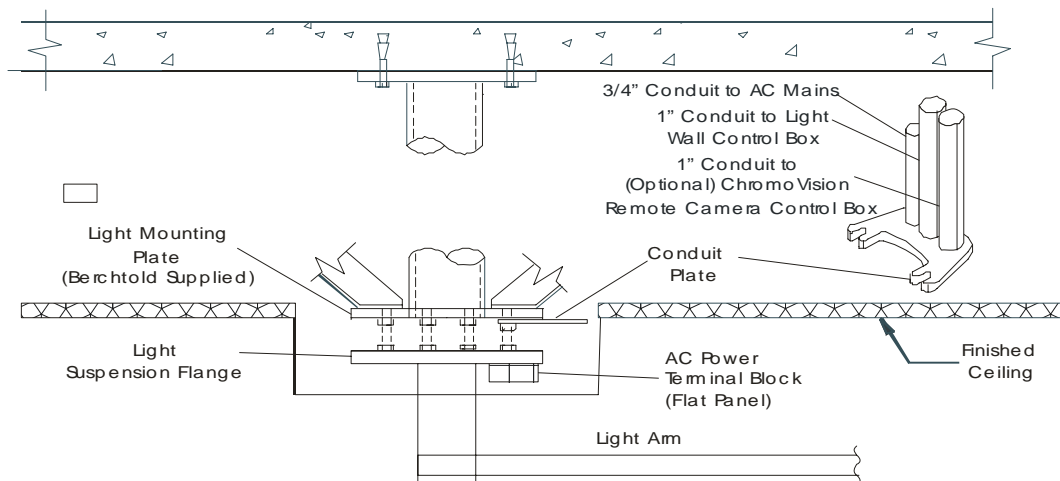


Figure 1

BERCHTOLD Corporation • 1950 Hanahan Road • Charleston, SC 29406
800 243-5135 • Fax 843 569-6133 • www.berchtoldusa.com

Contractor's Summary for CHROMOPHARE® Multiple Surgical Light

LEGEND:

A
"L" Angle Superstructure
Brackets: 4" x 4" x 12"
min. Four Required.

B
Pipe to fit 6-5/8" ID hole
in Mtg. Plate

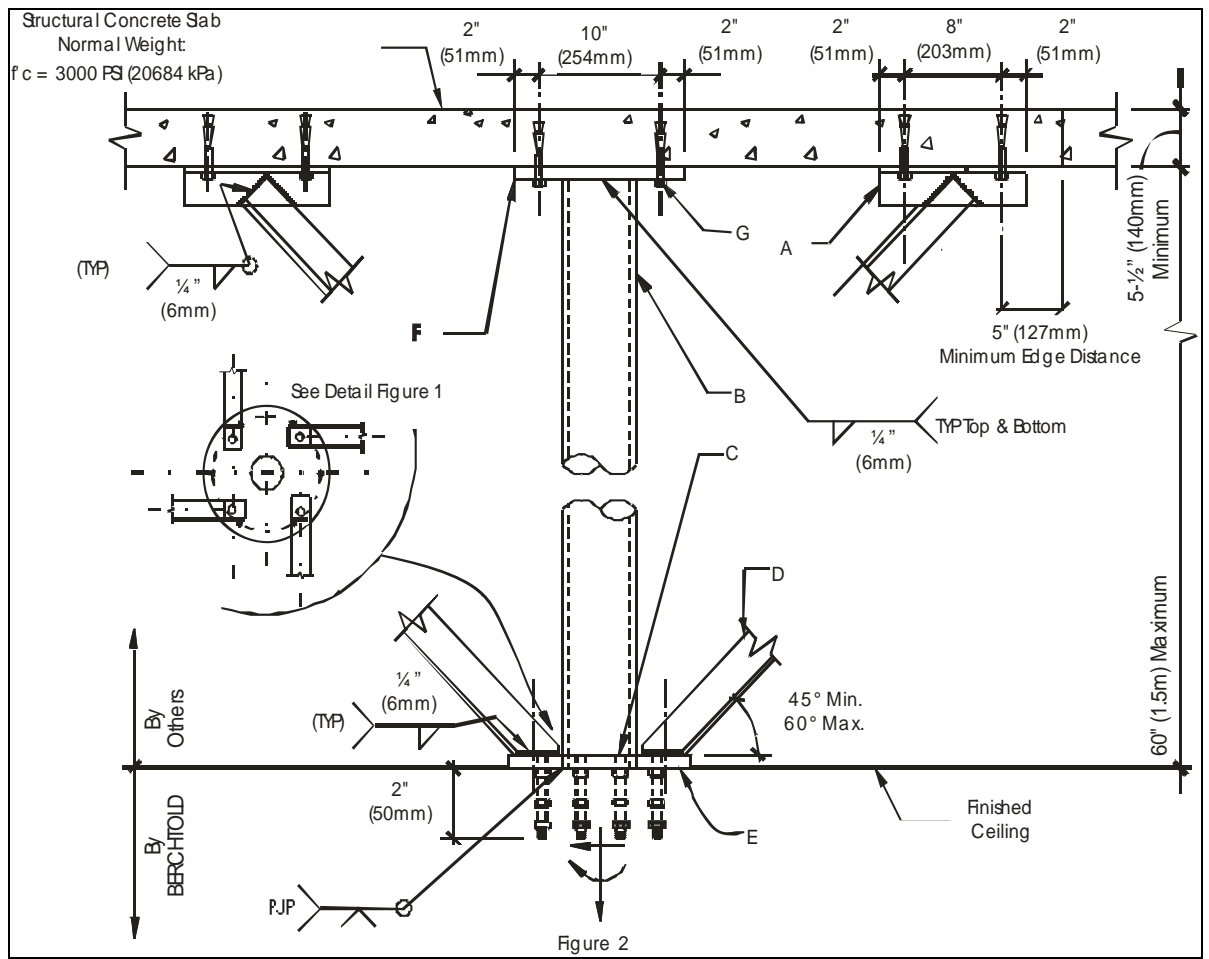
C
Chromophare Mounting
Plate supplied by
Berchtold, including
threaded rods and nuts;
installed by contractor.
See Detail below

D
"L" Angle Support
Braces:
3" x 3" x 0.25" min. Four
Required.

E
Bottom of Chromophare
Mounting Plate must be
flush with the finished
ceiling.

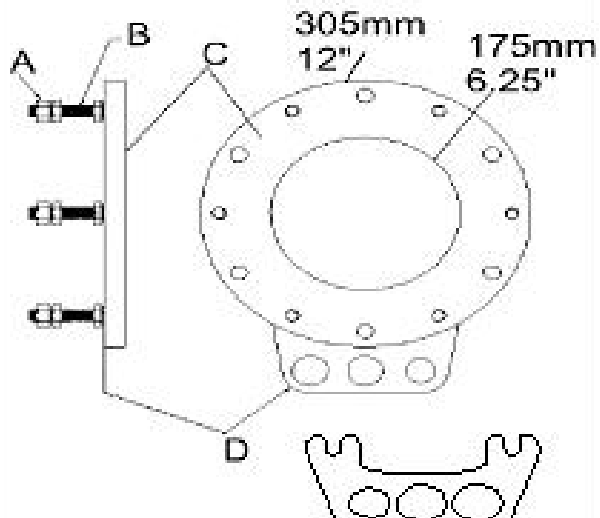
F
Superstructure Mounting
Plate: 0.5" x 12" x 15"
supplied by contractor.
See detail in the Pre-
Installation Guide Pg. 5.

G
Expansion Anchors



Conduit Plate Installation

1. Select where on the mounting ring you want the conduit to terminate (any two adjacent nuts).
2. Back the nuts (a) down the all-thread rods (B) away from the light mounting plate (C).
3. Insert the conduit plate (D) under the light mounting plate, and tighten the nuts.



Contractor's Summary for CHROMOPHARE® Multiple Surgical Light

Room Layout

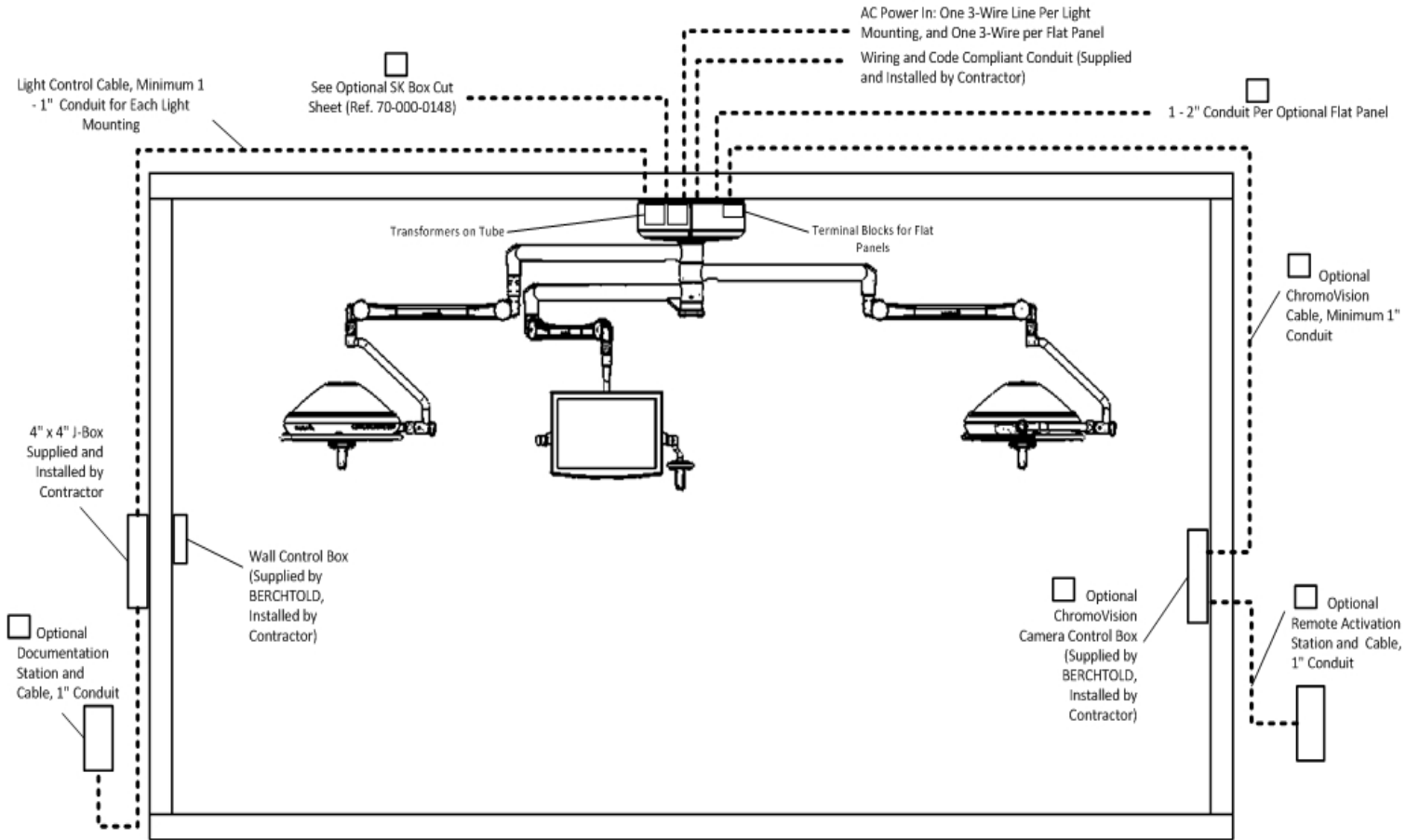


Figure 4

