

Contractor's Summary For CHROMOPHARE® Surgical Light SK Box Installation



This summary dimensional and loading data must be used in conjunction with the detailed information in the CHROMOPHARE® *Pre-Installation Guide* for the specific light model involved. Failure to include information from the *Pre-Installation Guide* could result in a failure of the light to operate or a failure of the superstructure. Failure of the super structure could damage the light or the building or cause injury to patients or personnel.

Many health care facilities order CHROMOPHARE® Surgical Lights for several different rooms or areas. Each of these units may be equipped differently. They may require different numbers of electric circuits, different numbers of low voltage cables, and different numbers and kinds of wall mount plates. Be sure to check the customer order documents for the specific requirements for your installation.

The information in this summary does not apply to wall mounted lights or to lights installed with Berchtold TELETOM® TC model Power Booms.

Copies of all Berchtold Pre-Installation Guides and most other technical literature are available from our Web site (www.berchtoldusa.com), by calling 800-243-5135, or by Faxing 843-569-6133.

OR Numbers		Number of Units

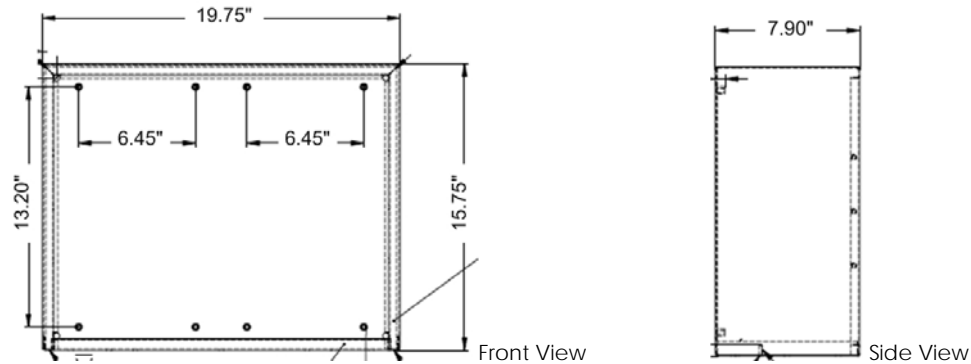
SK Box Mounting General Information

The SK Box is used to house the light electronics when the space in the ceiling at the fixture mounting is insufficient. Refer to the customer drawings to see if an SK Box will be used for your installation.

- The SK Box must be mounted within 45' (13.75m) of the light mounting ring. The box may be mounted within the ceiling cavity, but an external wall mount is preferred. A wall mounted box may be installed inside or outside of the OR.
- An SK box will accommodate the wiring for four light heads, or three light heads plus battery buffer system.
- A SK Box can weigh up to 130 pounds.
- The contractor is responsible for running power from an AC mains supply to the SK box.
- The contractor is responsible for running DC wiring from the SK box to the surgical light mounting ring
- The contractor is responsible for making both AC and DC connections in the SK Box.

Mounting Options

- Above Finished Ceiling
 - The SK Box must remain accessible (through a nearby access panel) after installation. The hinged doors must have complete freedom of movement in the ceiling, and must not ever be obstructed.
- Wall-Mount (Flush)
 - If an integrated Light Control Panel is desired, this must be indicated at time of order.
- Wall-Mount (Recessed)
 - SK Box recessed mount collar is required for this type of installation,
 - Contractor should measure target wall before installation to verify that there is sufficient depth in the stud wall to accommodate this type of installation.
 - If an integrated Light Control Panel is desired, this must be indicated at time of order.



Dimensions are given for one compartment of the SK Box, A Complete SK is two compartments stacked vertically.

Conduit Plate Installation

1. Select where on the mounting ring you want the conduit to terminate (any two adjacent nuts).
2. Back the nuts (a) down the all-thread rods (B) away from the light mounting plate (C).
3. Insert the conduit plate (D) under the light mounting plate, and tighten the nuts.

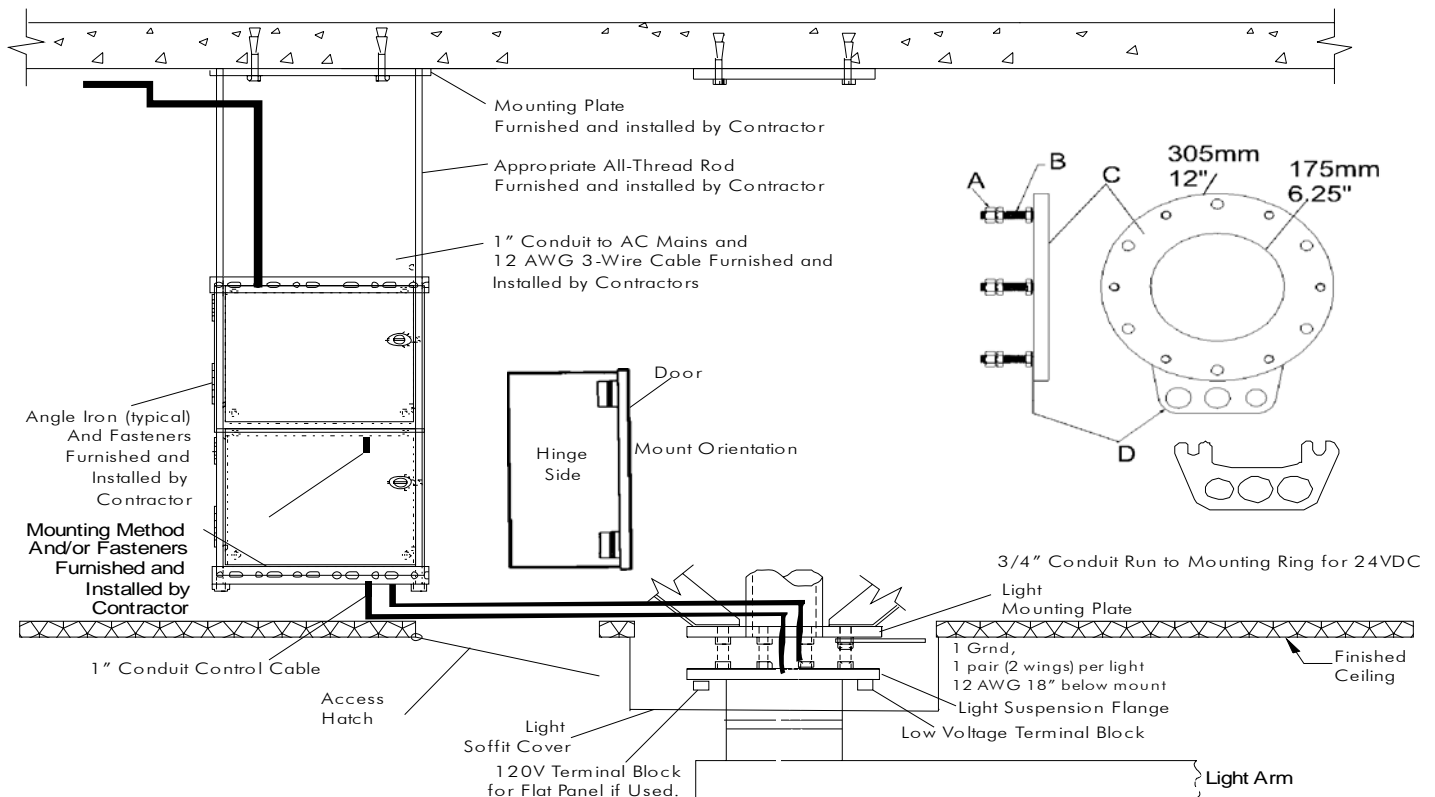


Figure 1

Conduit Requirements for Wall Mount

1. All conduit is to be a minimum of 1" (25mm) metallic U.N.O.
2. Conduits are to be deburred, cleaned, capped, and furnished with nylon pull rope.
3. Contractor is to provide cable protection bushings on all boxes and conduit stub-outs.
4. Conduit stub-outs, junction boxes, and outlets must be suitably labeled for identification of function, J-box number, and/or conduit number.

1" Conduit when order includes a flat panel product.

1" Conduit Run to J-Box behind CHROMOPHARE Wall Control
 1" to 2" Conduit Run to Documentation Station or Other Owner Specified Location For Signal Cables (Size determined by Equipment Vendor), if installed camera

