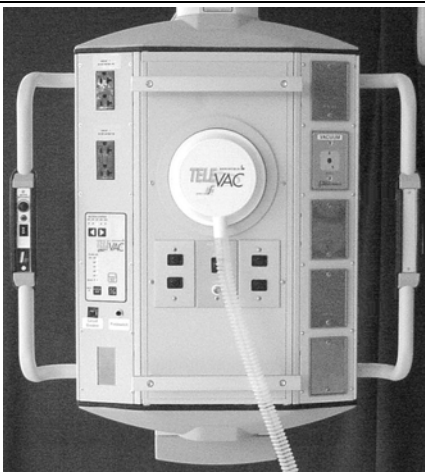




Contractor's Summary for Televac[®] Smoke Evacuation Systems



The drawings and data in this summary sheet must be used in conjunction with the detailed information in the TELECOM[®] *Pre-Installation Guide* (pub. 70-000-0007). Failure to include information from the *Pre-Installation Guide* could result in a failure of the superstructure. This could damage the boom or the building or cause injury to patients or personnel.

Cut sheets also are available for the following Teletom Power Boom models:

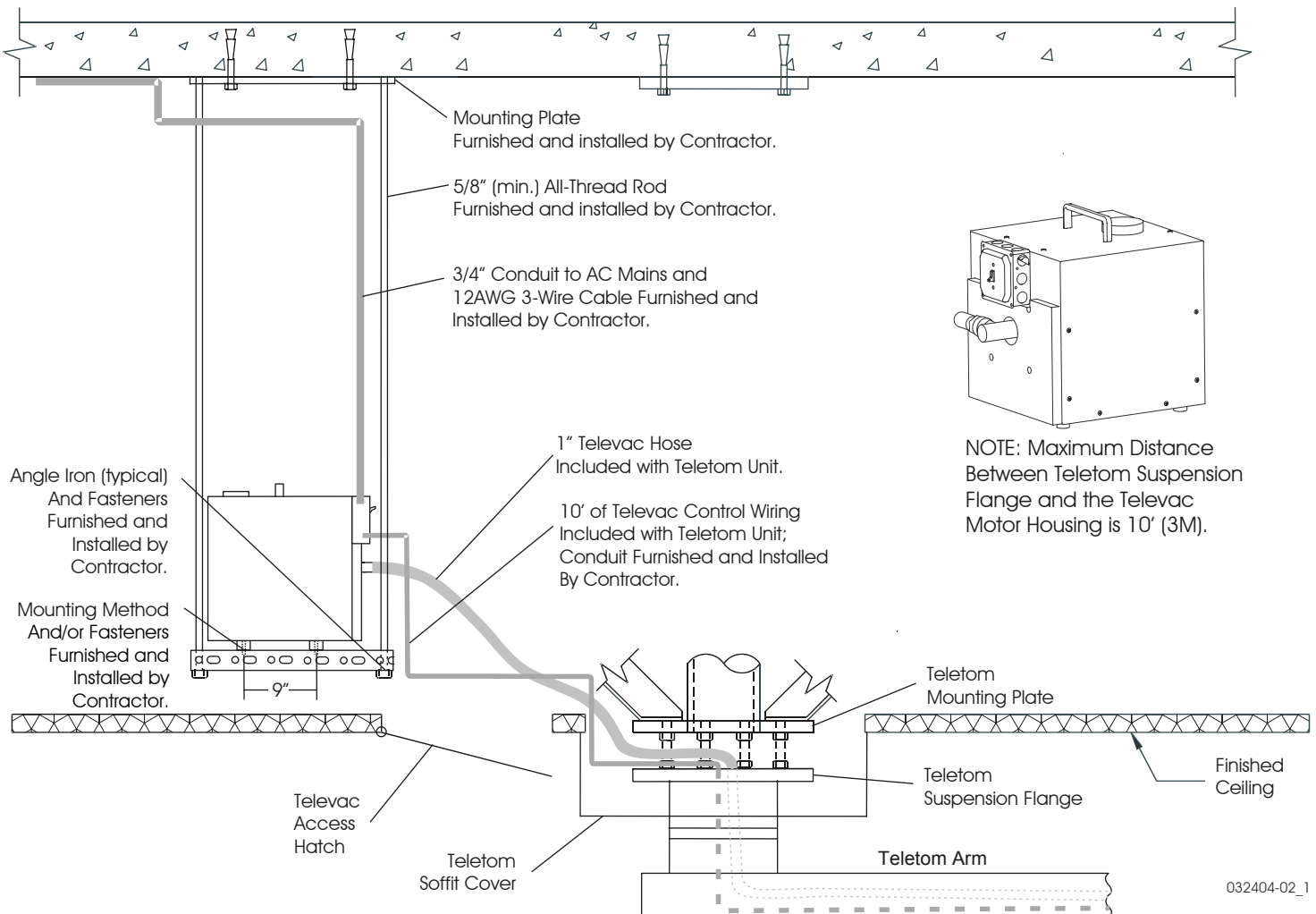
- 500 Series models without horizontal arm
- 510 Series models with single horizontal arms
- 710 Series models with single articulating arms
- 520/720 Series models with dual arms
- Tandem mounted models

All BERCHTOLD technical literature is available through our Web site (www.berchtoldusa.com), by calling 800-243-5135, or by Faxing 843-569-6133.

OR Number

No. of Units

BERCHTOLD Recommended Superstructure Construction Detail (Refer to Structural Engineer Drawings)



Optional Televac® Smoke Evacuation System Specifications and Installation Detail

(Reference Teletom Pre-Install Manual, Section 5)

Motor Size:

- 12" (305mm) cube
- 1.25 HP
- 19 lb

Electrical Requirements:

- 120VAC, 50/60Hz, 12 Amp draw at start up.
- Contractor is responsible for power cables and conduit from mains supply to the Televac motor location. (Do not route Televac power supply through the TELETOM® junction box). See conduit information below.
- Contractor is responsible for conduit from Televac motor location to Teletom mounting plate. See conduit information below.
- Teletom is delivered with Televac signal cable installed and hanging from the top of the suspension flange. Contractor pulls cable and makes connections at the motor junction box.

Installation Provisions:

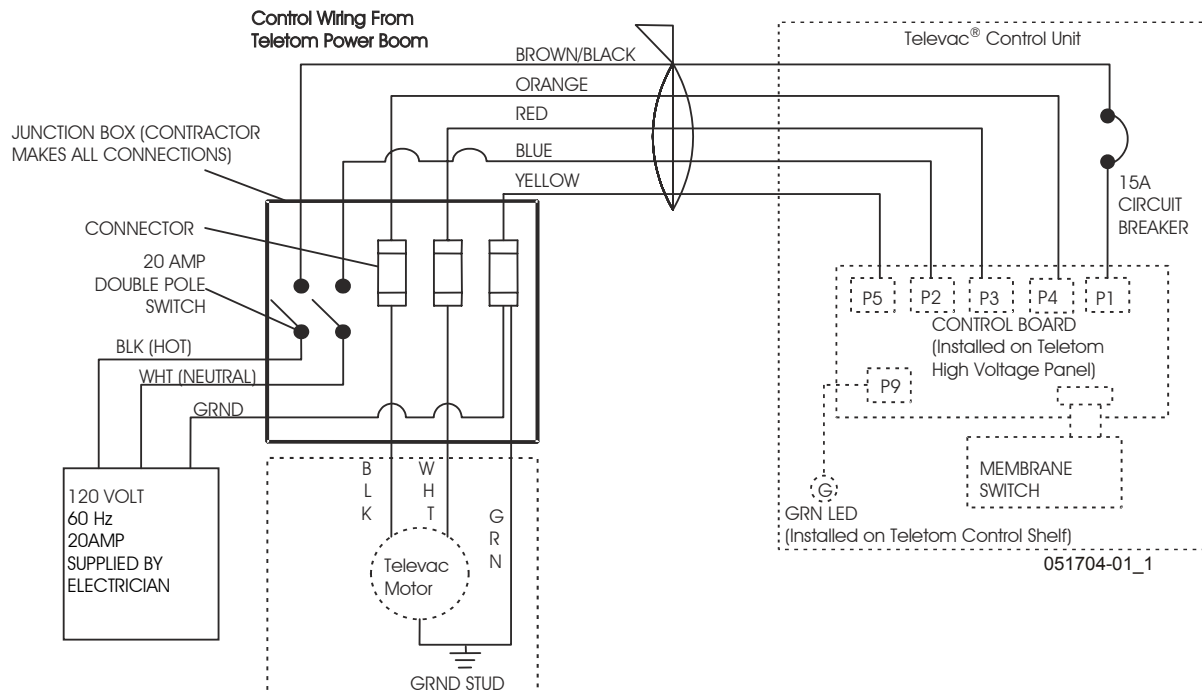
Televac motor/blower box mounting holes are on 9" (229mm) centers side-to-side and top-to-bottom

Inlet: 1" (25.4mm) X 10' (3m) hose supplied by BERCHTOLD

Outlet: 3" (76mm) hose supplied by contractor (if required—unit may vent to plenum at owner's option; however, refer to local building codes).

Flow:

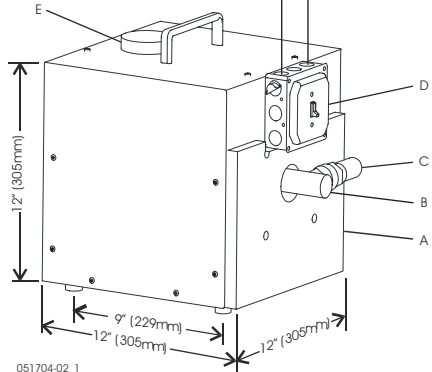
- Inlet > 70 ft³ min (2m³ min)
- Outlet = 90 ft³ min (2.6m³ min) with filter in place
- Outlet = 120 ft³ min (3.4m³ min) without filter



Component Identification and Conduit Requirements:

3/4" (19mm) Conduit to AC Mains Source. Cable and conduit supplied by contractor.

3/4" (19mm) Conduit to Teletom Mounting Plate. Maximum 10' (3m)
Cable supplied by BERCHTOLD. Conduit supplied by contractor.



Legend:

- A T elevac Motor/Blower Housing
- B 1" (25.4mm) Inlet
- C By-pass Valve/Muffler
- D Junction Box with Single Pole Switch
- E 3" (76mm) Outlet

General Notes on Conduit Requirements:

1. All conduit is to be a minimum of 3/4" (19mm) metallic U.N.O.
2. Conduits are to be deburred, cleaned, capped, and furnished with nylon pull rope.
3. Contractor is to provide cable protection bushings on all boxes and conduit stub-outs.
4. Conduit stub-outs, junction boxes, and outlets must be suitably labeled for identification of function, J-box number, and/or conduit number.